

NOTES
 1. FOR GENERAL LEGEND AND NOTES, REFER DRG Nos. CLR-CGN-DRG-4005, 4006 & 4007.

0 5 10m A1 / A3
 1:250 / 1:500

Issue	Date	By	Chkd	Appd

Issue	Date	By	Chkd	Appd

Issue	Date	By	Chkd	Appd

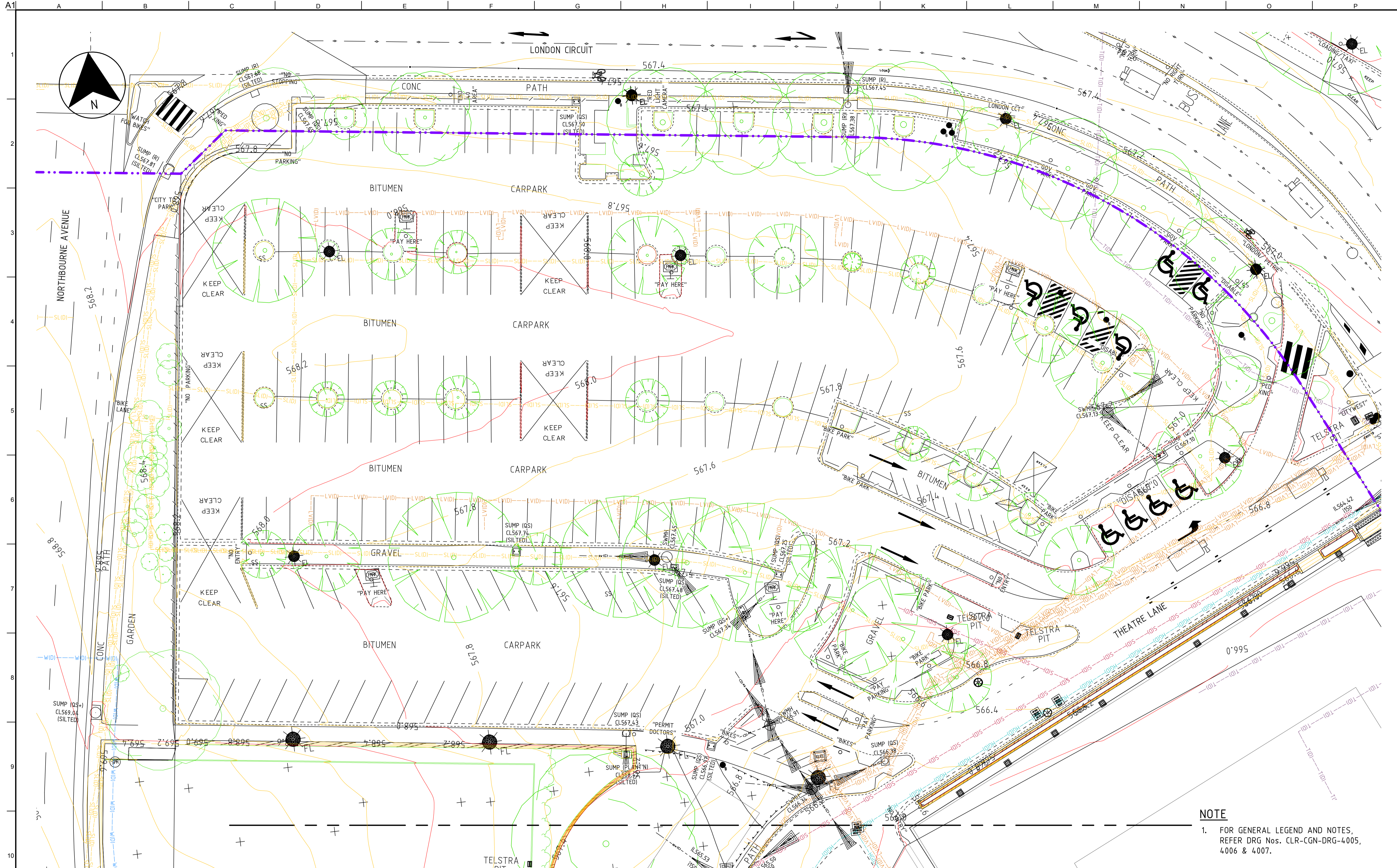
Designer
**ARUP
 HASSELL**

Client
**Capital Metro
 ACT Government**

Job Title
 Capital Metro
 Temporary Car Parks
 Works Approval

Temporary Car Parks
 Detailed Site Plan
 Magistrates Court Car Park

Scale at A1 1:250m
 Discipline Civil
 Job No 235067
 Drawing No CLR-CSP-DRG-4010
 Drawing Status
Works Approval
 Issue
P01



NOTE
 1. FOR GENERAL LEGEND AND NOTES, REFER DRG Nos. CLR-CGN-DRG-4005, 4006 & 4007.

ADJOINS DRG No. CLR-CSP-DRG-4012

Issue	Date	By	Chkd	Appd

Issue	Date	By	Chkd	Appd

Issue	Date	By	Chkd	Appd
P02	19/01/16	NB	RA	RA
Issued for Works Approval				
P01	15/01/16	NB	LM	RA
Issued for Works Approval				

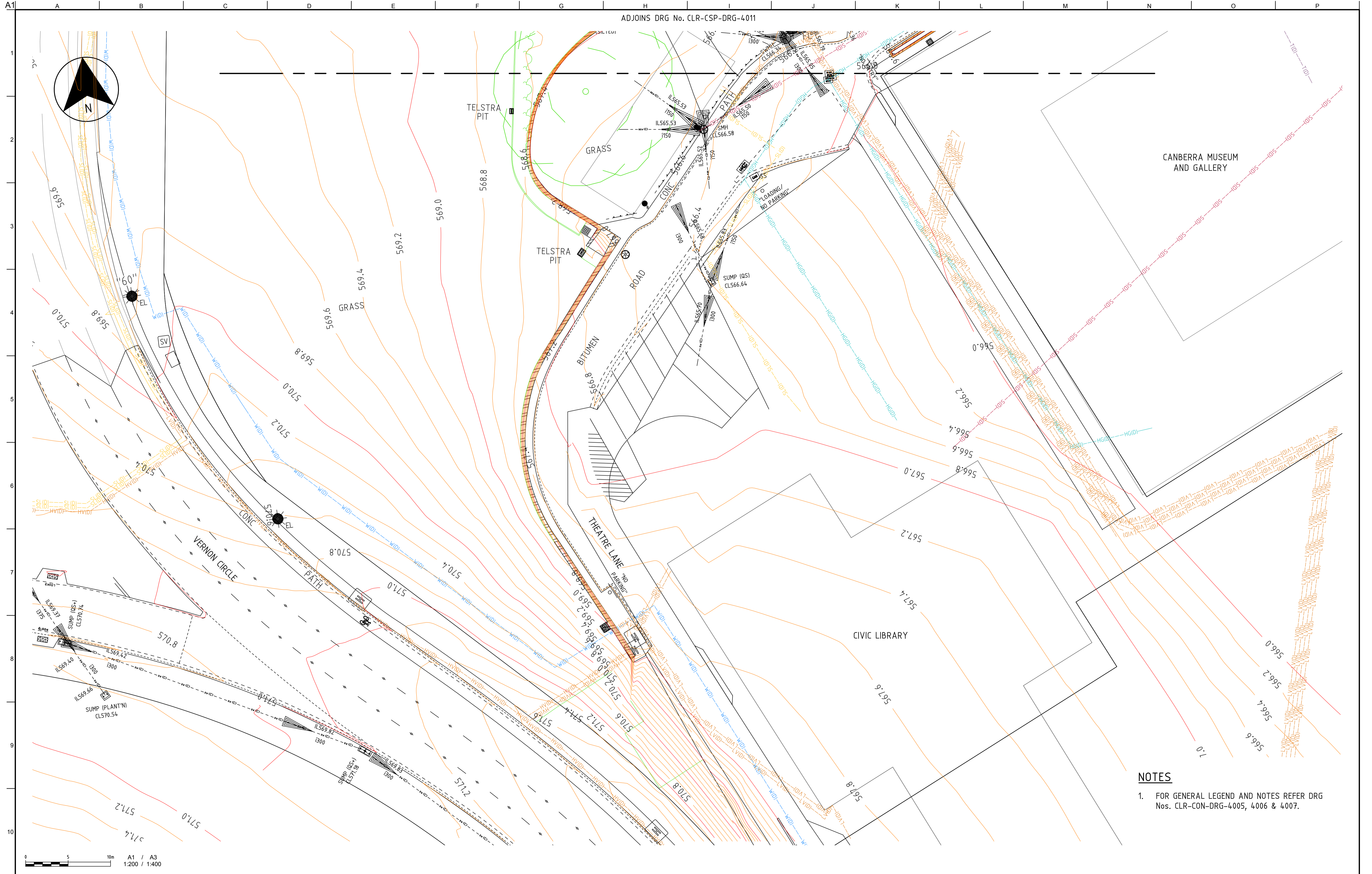
Designer
**ARUP
 HASSELL**

Client
**Capital Metro
 ACT Government**

Job Title
 Capital Metro
 Temporary Car Parks
 Works Approval

Temporary Car Parks
 Detailed Site Plan
 Theatre Car Park
 Plan 1 of 2

Scale at A1	1:200m
Discipline	Civil
Job No	235067
Drawing Status	Works Approval
Drawing No	CLR-CSP-DRG-4011
Issue	P02



NOTES
 1. FOR GENERAL LEGEND AND NOTES REFER DRG Nos. CLR-CON-DRG-4005, 4006 & 4007.

0 5 10m
 A1 / A3
 1:200 / 1:400

Issue	Date	By	Chkd	Appd

Issue	Date	By	Chkd	Appd

Issue	Date	By	Chkd	Appd

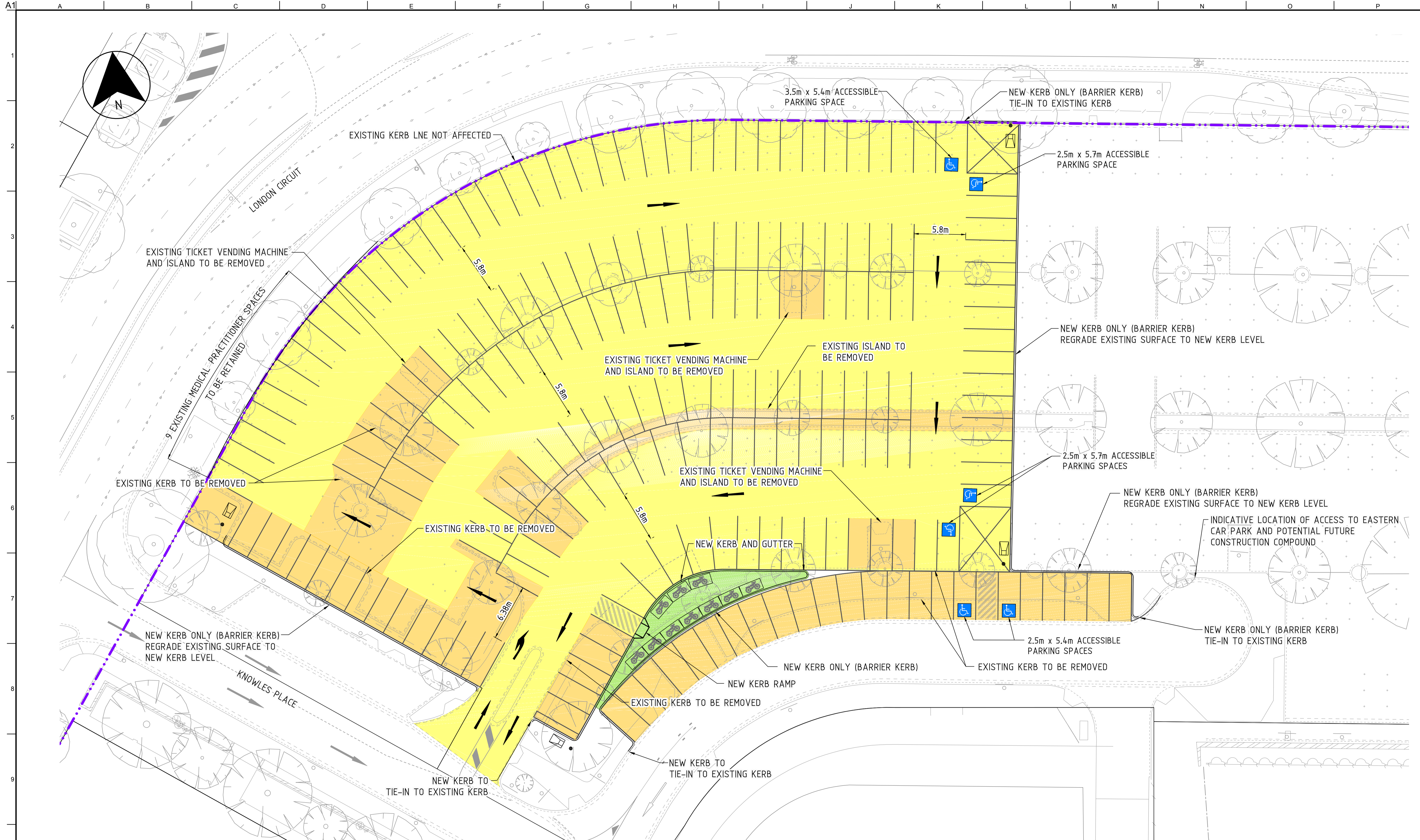
Designer
ARUP HASSELL

Client
Capital Metro ACT Government

Job Title
 Capital Metro
 Temporary Car Parks
 Works Approval

Temporary Car Parks
 Detailed Site Plan
 Theatre Car Park
 Plan 2 of 2

Scale at A1 1:200m	
Discipline Civil	
Job No 235067	Drawing Status Works Approval
Drawing No CLR-CSP-DRG-4012	Issue P01



NOTE
 1. FOR GENERAL LEGEND AND NOTES, REFER DRG No. CLR-CGN-DRG-4005, 4006 & 4007.

0 5 10m
 A1 / A3
 1:200 / 1:400

Issue	Date	By	Chkd	Appd

Issue	Date	By	Chkd	Appd

P02	19/01/16	NB	RA	RA
Issued for Works Approval				
P01	15/01/16	NB	LM	RA
Issued for Works Approval				

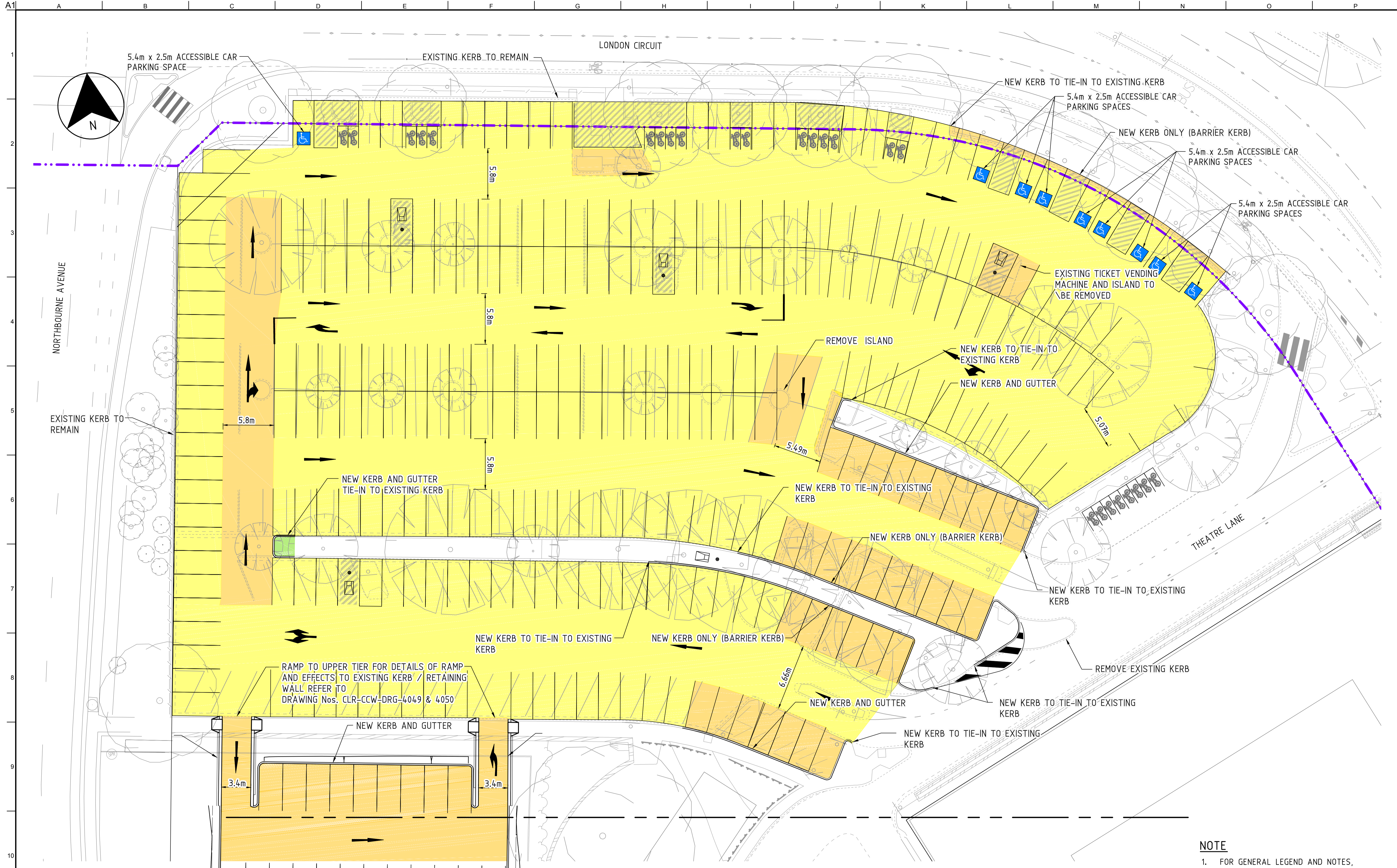
Designer
ARUP HASSELL

Client
CapitalMetro ACT Government

Job Title
 Capital Metro
 Temporary Car Parks
 Works Approval

Temporary Car Parks
 Civil & Excavation
 Magistrates Court Car Park
 Pavement and Kerbs

Scale at A1 1:200m	
Discipline Civil	
Job No 235067	Drawing Status Works Approval
Drawing No CLR-CCW-DRG-4040	Issue P02



NOTE
 1. FOR GENERAL LEGEND AND NOTES, REFER DRG Nos. CLR-CGN-DRG-4005, 4006 & 4007.

Issue	Date	By	Chkd	Appd

Issue	Date	By	Chkd	Appd

Issue	Date	By	Chkd	Appd
P02	19/01/16	NB	RA	RA
Issued for Works Approval				
P01	15/01/16	NB	LJM	RA
Issued for Works Approval				

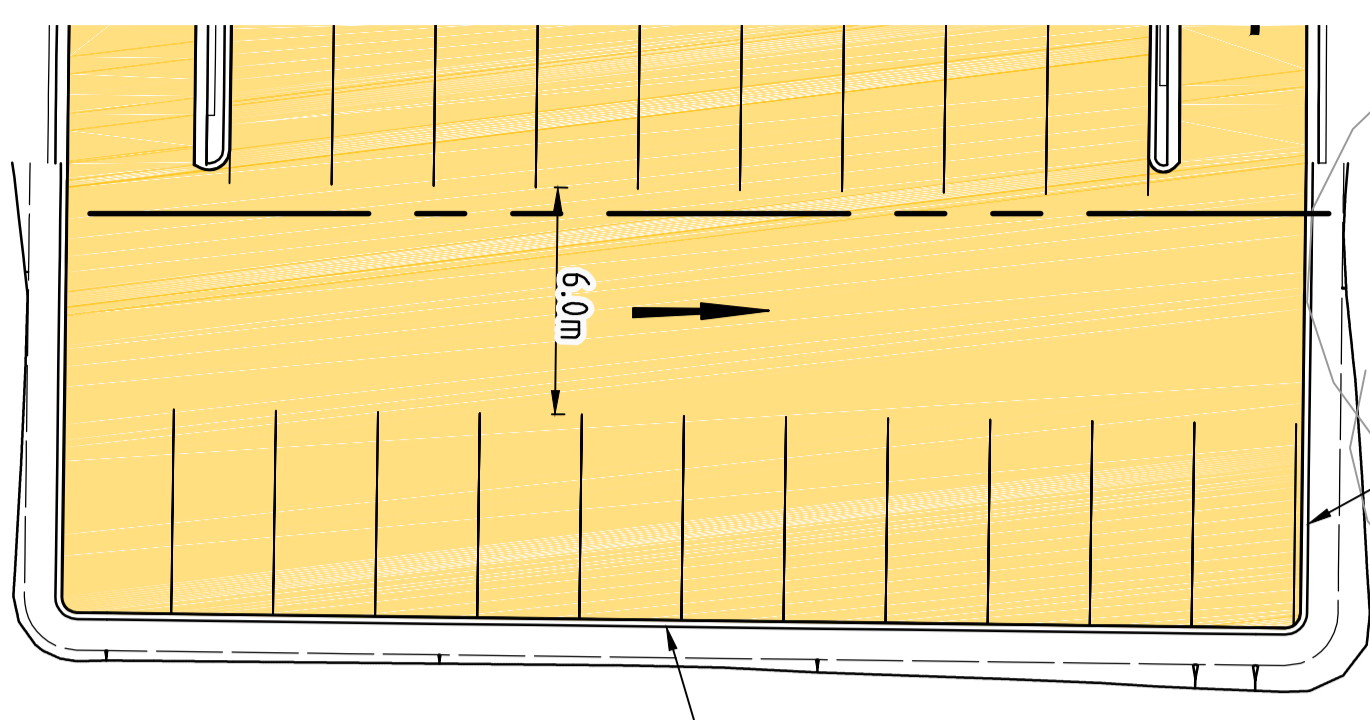
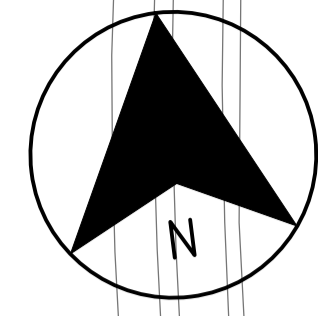
Designer
ARUP HASSELL

Client
Capital Metro ACT Government

Job Title
 Capital Metro
 Temporary Car Parks
 Works Approval

Temporary Car Parks
 Civil & Excavation
 Theatre Car Park
 Pavement and Kerbs Sheet 1 of 2

Scale at A1 1:200m
 Discipline Civil
 Job No 235067
 Drawing Status Works Approval
 Drawing No CLR-CCW-DRG-4041
 Issue P02



NEW KERB ONLY (BARRIER KERB)

BATTER SLOPE TO EXISTING GROUND LEVEL

EXISTING RETAINING WALL TO REMAIN

EXISTING RETAINING WALL TO REMAIN

CANBERRA MUSEUM AND GALLERY

NORTHBOURNE AVENUE

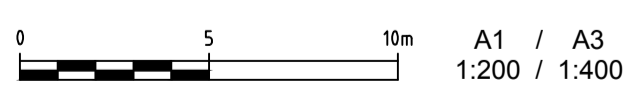
THEATRE LANE

CIVIC LIBRARY

VERNON CIRCLE

NOTE

- FOR GENERAL LEGEND AND NOTES, REFER DRG Nos. CLR-CGN-DRG-4005, 4006 & 4007.



Issue	Date	By	Chkd	Appd

Issue	Date	By	Chkd	Appd

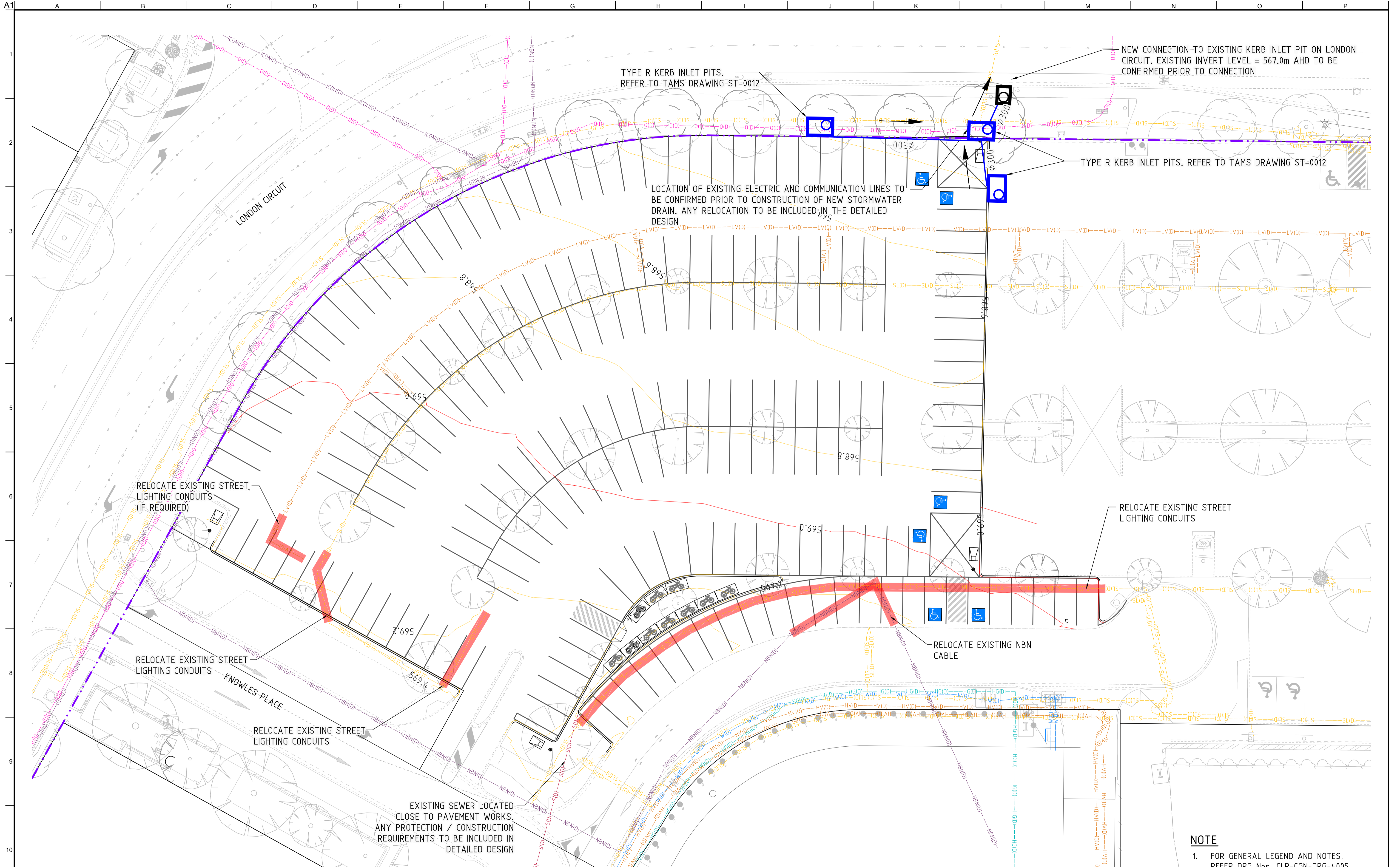
P02	19/01/16	NB	RA	RA
Issued for Works Approval				
P01	15/01/16	NB	LM	RA
Issued for Works Approval				



Job Title
Capital Metro
Temporary Car Parks
Works Approval

Temporary Car Parks
Civil & Excavation
Theatre Car Park
Pavement and Kerbs Sheet 2 of 2

Scale at A1	1:200m
Discipline	Civil
Job No	235067
Drawing Status	Works Approval
Drawing No	CLR-CCW-DRG-4042
Issue	P02



0 5 10m A1 / A3
1:200 / 1:400

Issue	Date	By	Chkd	Appd

Issue	Date	By	Chkd	Appd

Issue	Date	By	Chkd	Appd
P01	15/01/16	NB	LM	RA
Issued for Works Approval				

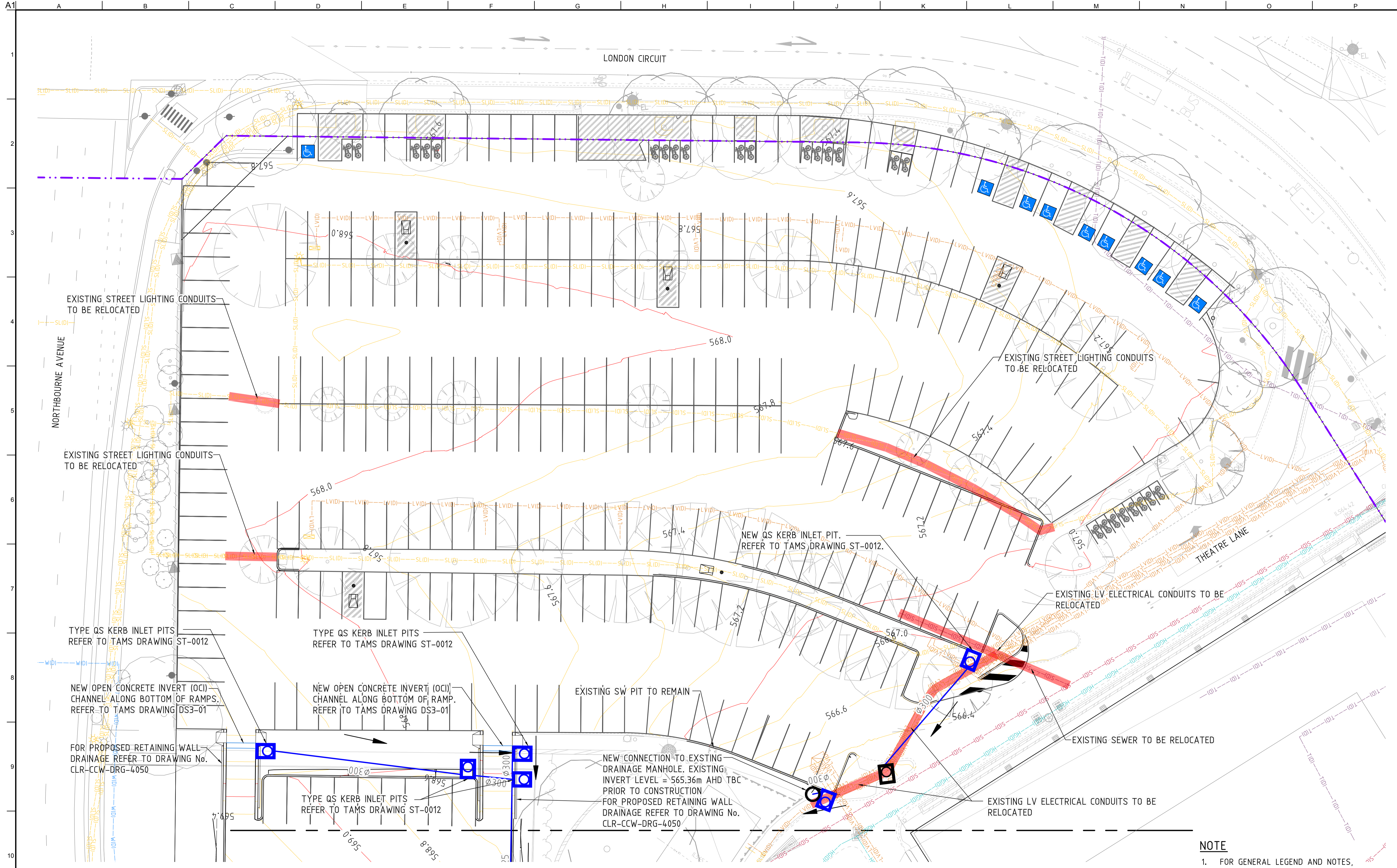
Designer
**ARUP
HASSELL**

Client
**Capital Metro
ACT Government**

Job Title
Capital Metro
Temporary Car Parks
Works Approval

Temporary Car Parks
Civil & Excavation
Magistrates Court Car Park
Drainage and Utilities

Scale at A1 AS SHOWN
Discipline Civil
Job No **235067**
Drawing No **CLR-CCW-DRG-4043**
Drawing Status **Works Approval**
Issue **P01**



NOTE
 1. FOR GENERAL LEGEND AND NOTES, REFER DRG Nos. CLR-CGN-DRG-4005, 4006 & 4007.

0 5 10m
 A1 / A3
 1:200 / 1:400

Issue	Date	By	Chkd	Appd

Issue	Date	By	Chkd	Appd

Issue	Date	By	Chkd	Appd
P02	19/01/16	NB	RA	RA
Issued for Works Approval				
P01	15/01/16	NB	LM	RA
Issued for Works Approval				

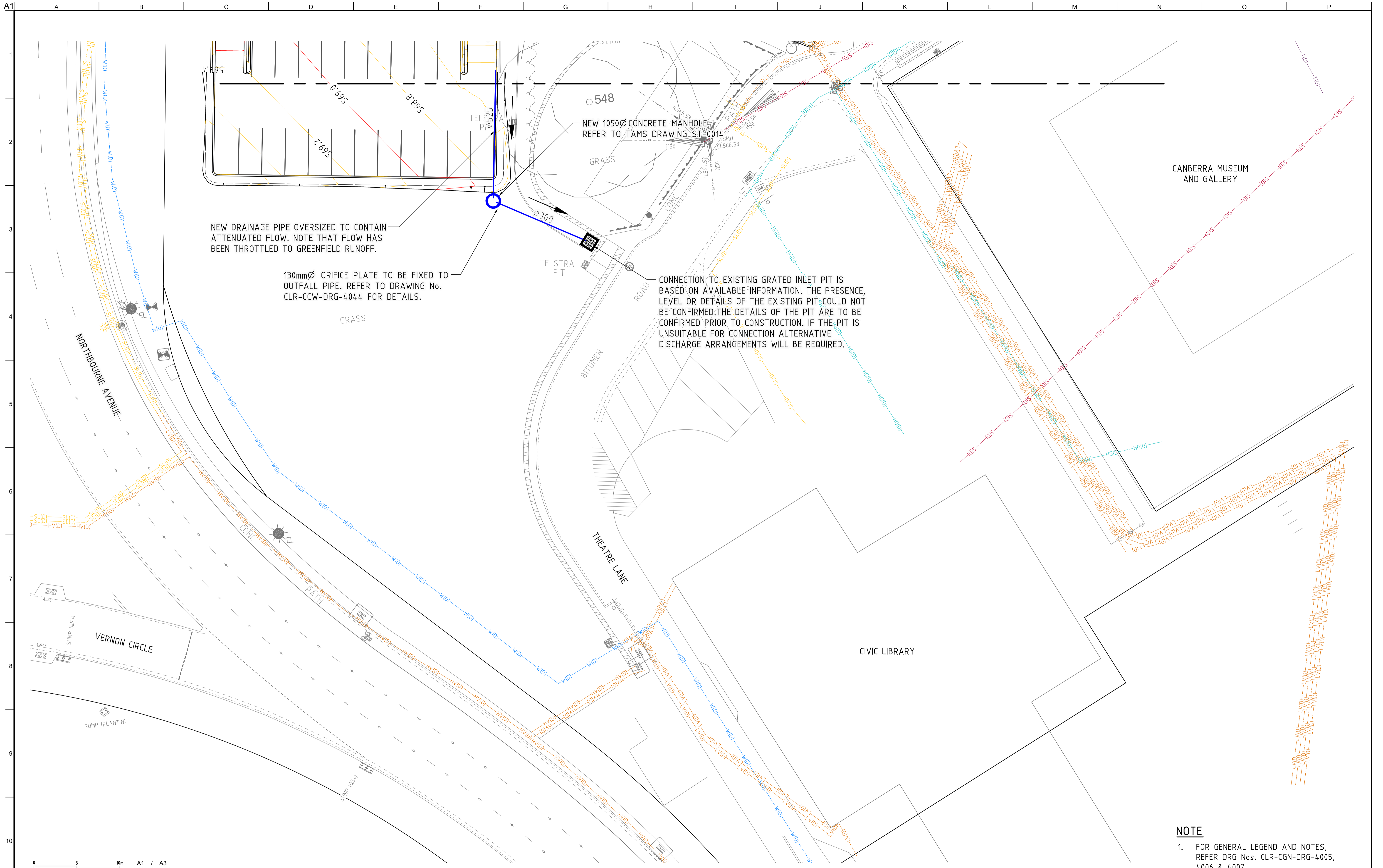
Designer
ARUP HASSELL

Client
Capital Metro ACT Government

Job Title
 Capital Metro
 Temporary Car Parks
 Works Approval

Temporary Car Parks
 Civil & Excavation
 Theatre Car Park
 Drainage and Utilities Sheet 1 of 2

Scale at A1 AS SHOWN
 Discipline Civil
 Job No **235067**
 Drawing Status **Works Approval**
 Drawing No **CLR-CCW-DRG-4044**
 Issue **P02**



0 5 10m A1 / A3
1:200 / 1:400

Issue	Date	By	Chkd	Appd

Issue	Date	By	Chkd	Appd

Issue	Date	By	Chkd	Appd
P01	15/01/16	NB	LM	RA
Issued for Works Approval				

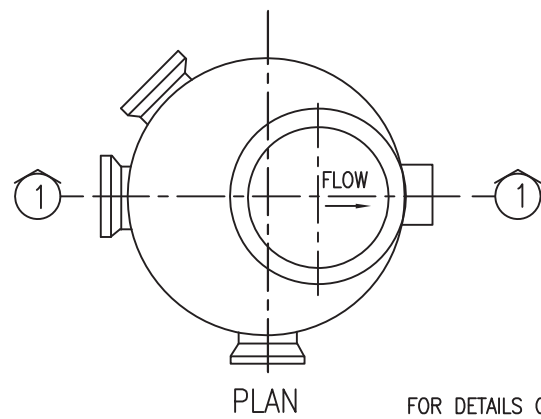
Designer
**ARUP
HASSELL**

Client
**CapitalMetro
ACT Government**

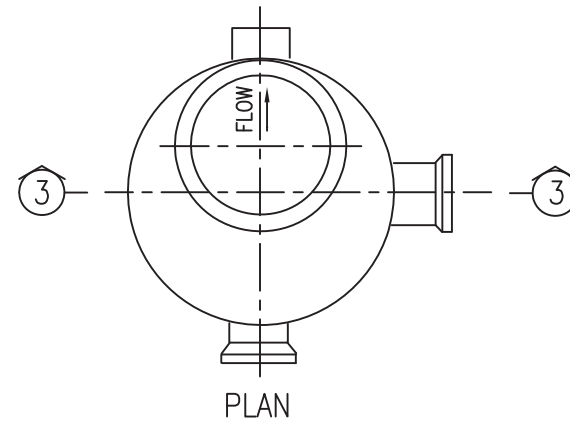
Job Title
Capital Metro
Temporary Car Parks
Works Approval

Temporary Car Parks
Civil & Excavation
Theatre Car Park
Drainage and Utilities Sheet 2 of 2

Scale at A1 AS SHOWN	
Discipline Civil	
Job No 235067	Drawing Status Works Approval
Drawing No CLR-CCW-DRG-4051	Issue P01



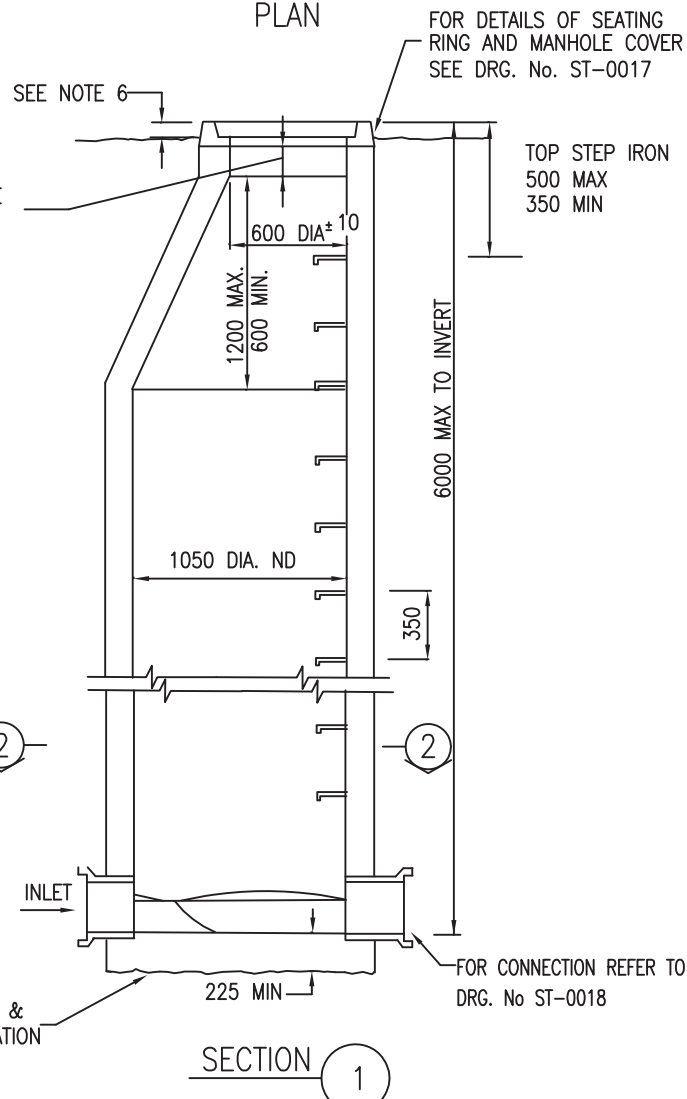
PLAN



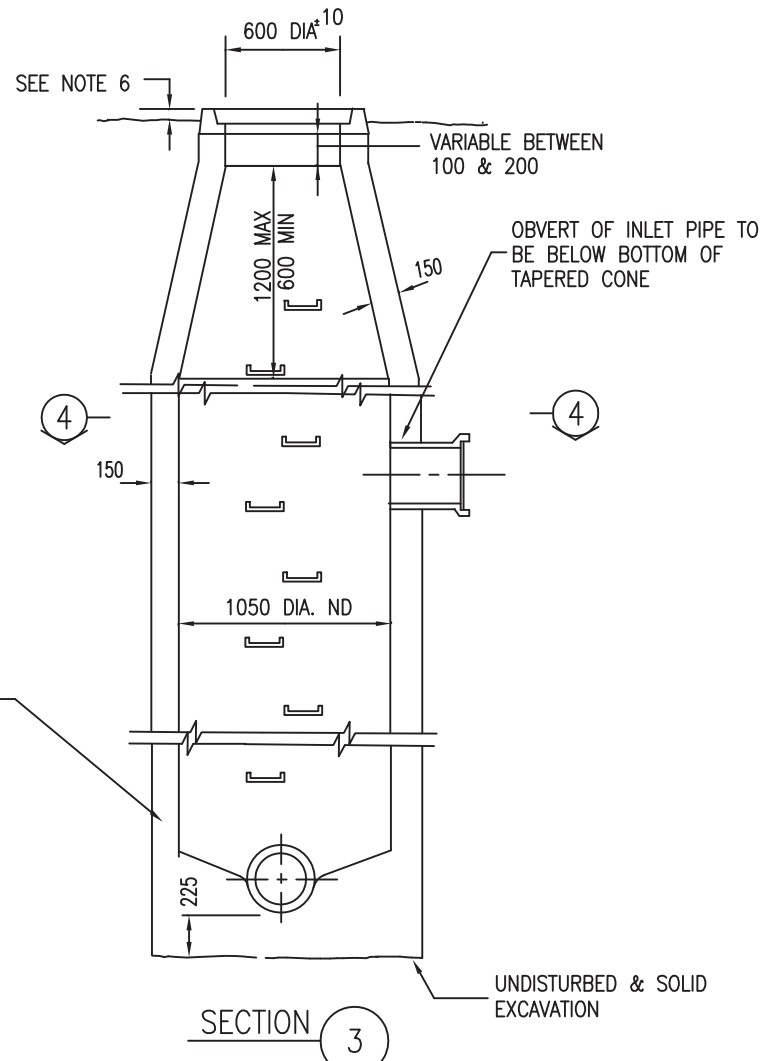
PLAN

NOTES

1. MAXIMUM PIPE SIZE = 675 mm
2. MINIMUM CONCRETE COMPRESSIVE STRENGTH SHALL BE 32 MPa.
3. SPECIAL CHAMBERED MANHOLES ARE REQUIRED FOR MAINS 750mm AND LARGER. REFER TO DRAWING No. ST-0015
4. CONNECTIONS INTO STORMWATER MANHOLES SHALL BE MADE IN ACCORDANCE WITH DRAWING No ST-0018
5. IN TRAFFICABLE AREAS AND WHERE SHOWN ON DESIGN DRAWINGS, STEEL ACCESS COVERS SHALL BE USED.
6. COVER LEVELS SHALL BE FLUSH WITH THE FINISHED SURFACE IN PAVED AREAS AND LANDSCAPED AREAS AND 100mm ABOVE NATURAL SURFACE ELSEWHERE.
7. GALVANISED STEPIRONS SHALL BE PROVIDED IN ACCORDANCE WITH DRAWING No ST-0017



SECTION 1

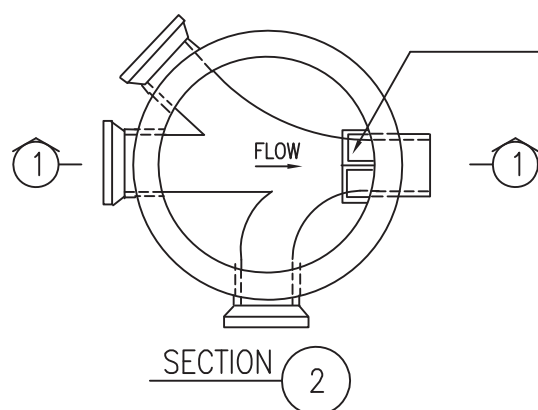


SECTION 3

PRECAST MANHOLES

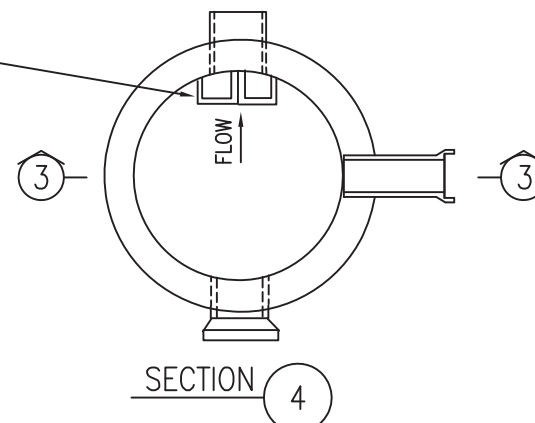
PRECAST MANHOLES ARE AN ACCEPTABLE ALTERNATIVE PROVIDED THEY ARE CONSTRUCTED IN CONFORMITY WITH THE N.S.W. GOVERNMENT SEWERAGE STANDARD (N.S.W.G.S.S.) DRG.NO.1380, EXCEPT THAT:-

THE HEIGHT OF THE NECK OR MAKE-UP RING SHALL HAVE A MINIMUM DIMENSION OF 100mm.



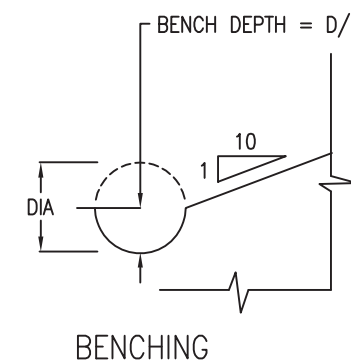
SECTION 2

STANDARD TYPE



SECTION 4

STANDARD TYPE WITH VERTICAL DROP



BENCHING

NOT TO SCALE

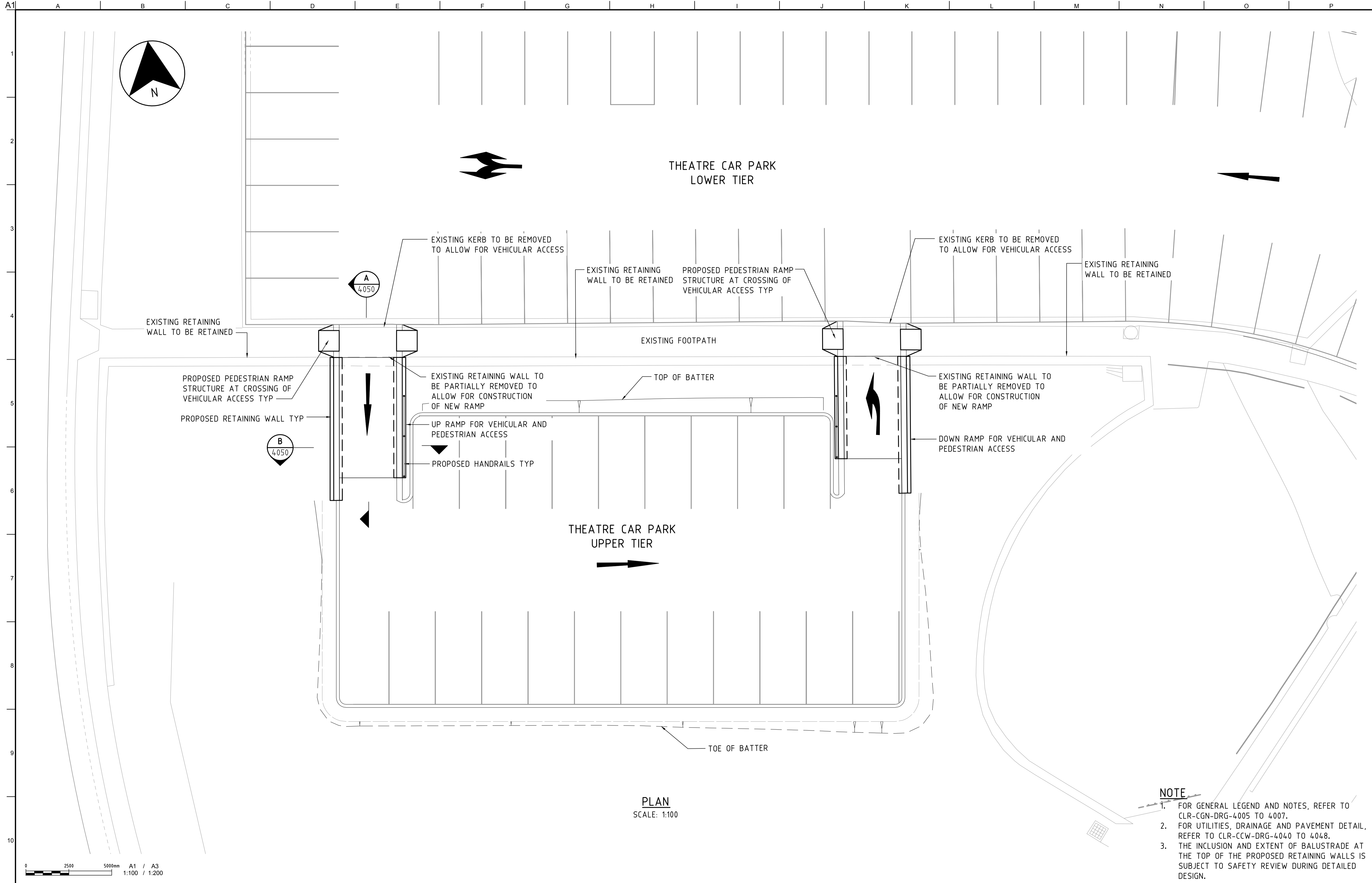


Manager

STANDARD DRAWING
1050 ND MANHOLES

Date	Mar'98	Rev	02
------	--------	-----	----

Drawing No.
ST-0014



PLAN
SCALE: 1:100

0 2500 5000mm A1 / A3
1:100 / 1:200

Issue	Date	By	Chkd	Appd

Issue	Date	By	Chkd	Appd

Issue	Date	By	Chkd	Appd
P01	15/01/16	ED	JK	RA
Issued for Works Approval				

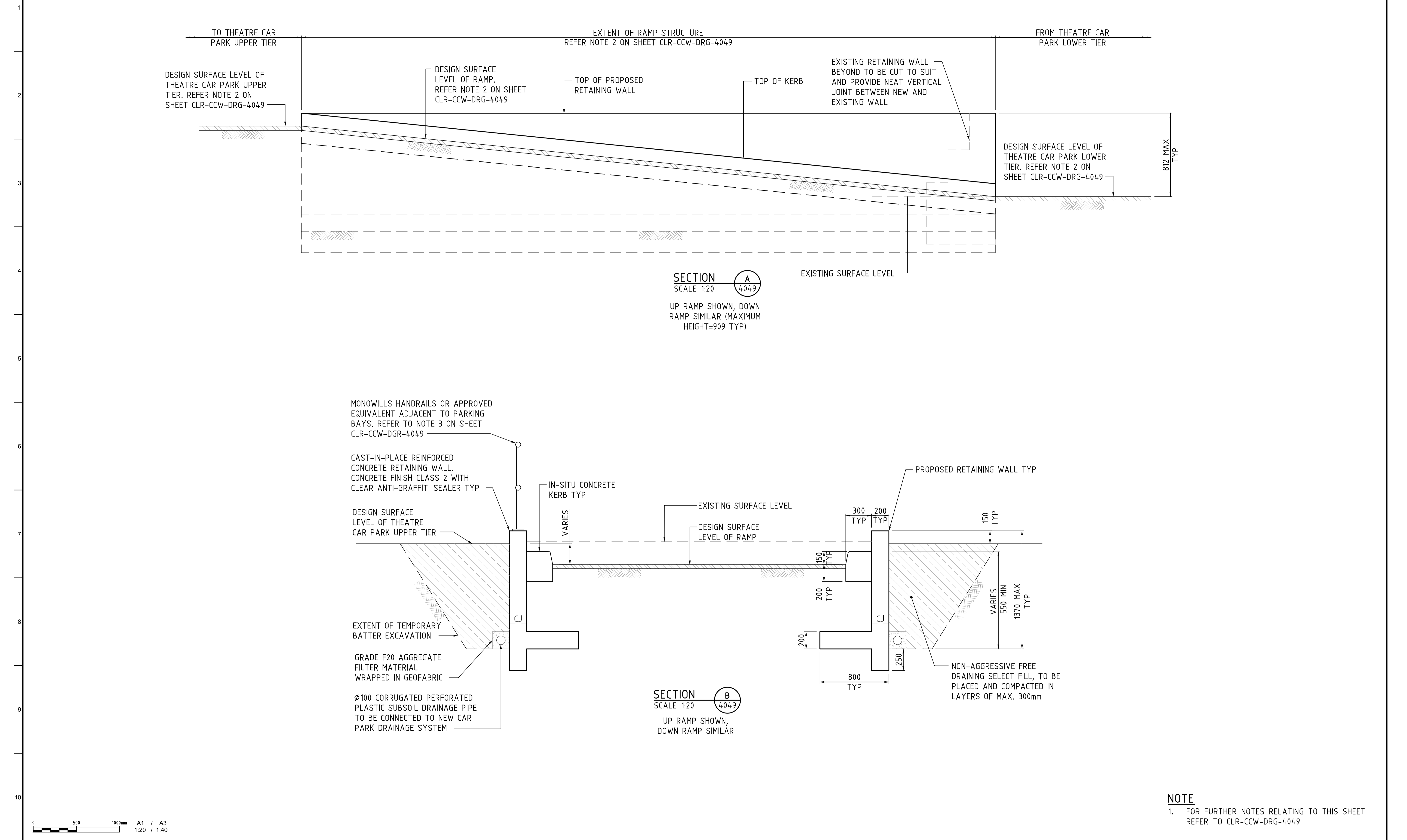
Designer
ARUP HASSELL

Client
CapitalMetro ACT Government

Job Title
Capital Metro
Temporary Car Parks
Works Approval

Temporary Car Parks
Civil & Excavation
Ramp Structures Details
Sheet 1 of 2

Scale at A1 1:100mm	
Discipline Civil	
Job No 235067	Drawing Status Works Approval
Drawing No CLR-CCW-DRG-4049	Issue P01



SECTION A
SCALE 1:20
4049
UP RAMP SHOWN, DOWN RAMP SIMILAR (MAXIMUM HEIGHT=909 TYP)

SECTION B
SCALE 1:20
4049
UP RAMP SHOWN, DOWN RAMP SIMILAR

NOTE
1. FOR FURTHER NOTES RELATING TO THIS SHEET REFER TO CLR-CCW-DRG-4049

0 500 1000mm A1 / A3
1:20 / 1:40

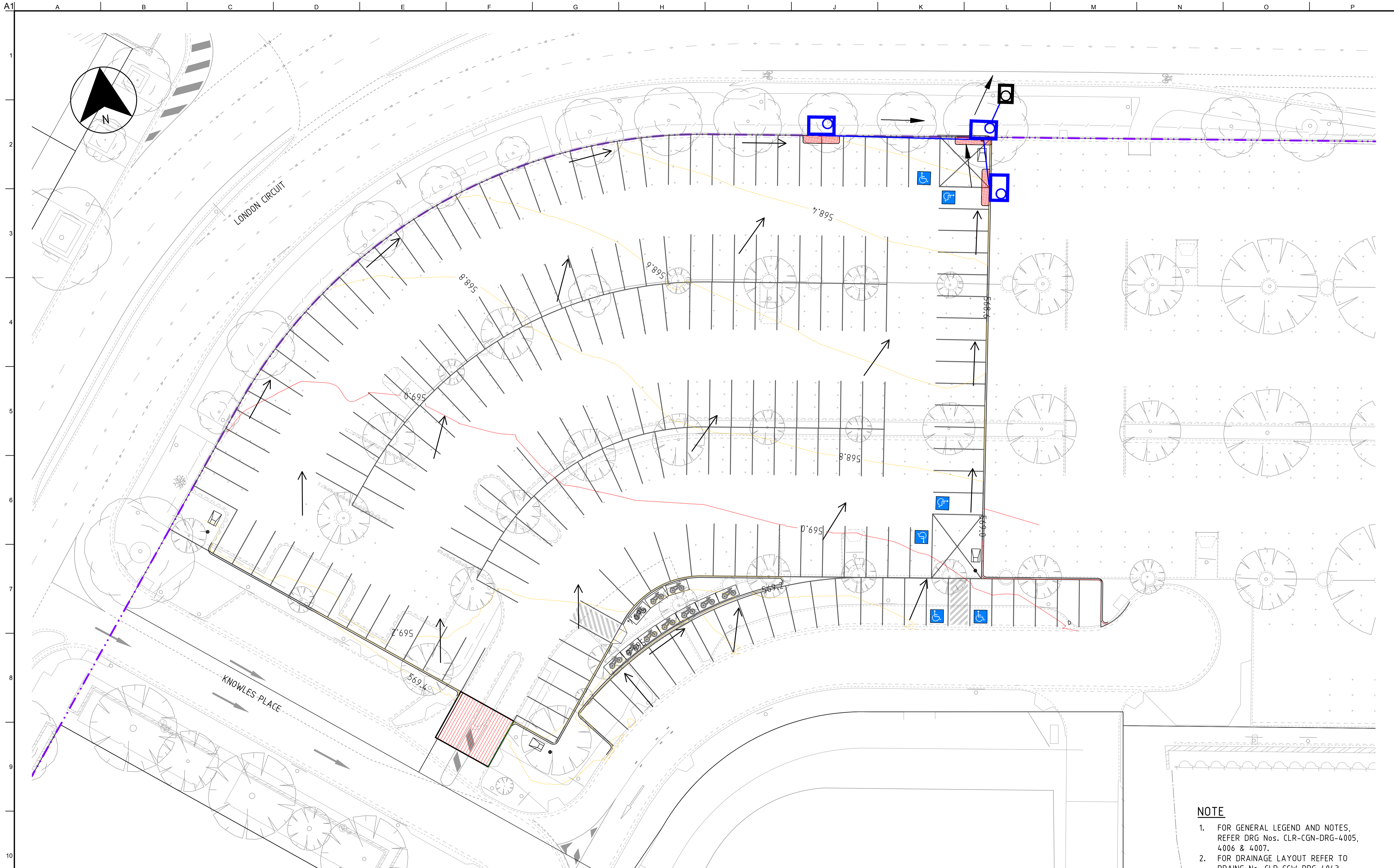
Designer
ARUP HASSELL

Client
CapitalMetro ACT Government

Job Title
Capital Metro Temporary Car Parks Works Approval

Temporary Car Parks Civil & Excavation Ramp Structures Details Sheet 2 of 2

Scale at A1 1:20mm	
Discipline Civil	
Job No 235067	Drawing Status Works Approval
Drawing No CLR-CCW-DRG-4050	Issue P02



- NOTE**
- FOR GENERAL LEGEND AND NOTES, REFER DRG Nos. CLR-CGN-DRG-4005, 4006 & 4007.
 - FOR DRAINAGE LAYOUT REFER TO DRAINING No. CLR-CCW-DRG-4043

0 5 10m A1 / A3
1:200 / 1:400

Issue	Date	By	Chkd	Appd

Issue	Date	By	Chkd	Appd

Issue	Date	By	Chkd	Appd

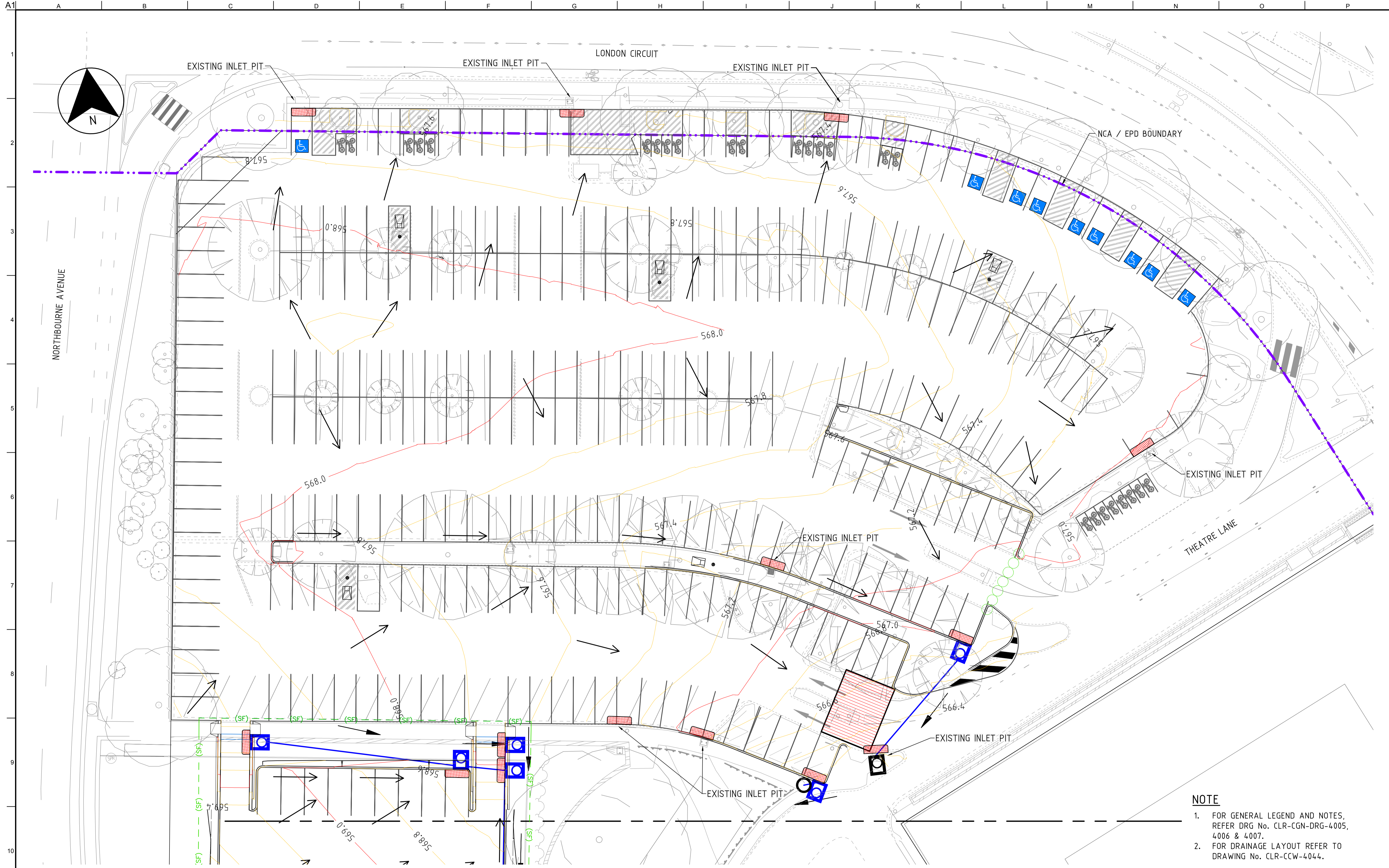
Designer
ARUP HASSELL

Client
Capital Metro ACT Government

Job Title
Capital Metro
Temporary Car Parks
Works Approval

Temporary Car Parks
Erosion & Sediment Control
Magistrates Court Car Park

Scale at A1 1:200m
Discipline Civil
Job No 235067
Drawing No CLR-CCW-DRG-4045
Issue P01
Drawing Status Works Approval



NOTE

- FOR GENERAL LEGEND AND NOTES, REFER DRG No. CLR-CGN-DRG-4005, 4006 & 4007.
- FOR DRAINAGE LAYOUT REFER TO DRAWING No. CLR-CCW-4044.

0 5 10m
A1 / A3
1:200 / 1:400

ADJOINS DRG No. CLR-CCW-DRG-4047

Issue	Date	By	Chkd	Appd

Issue	Date	By	Chkd	Appd
P02	19/01/16	NB	RA	RA
Issued for Works Approval				
P01	15/01/16	NB	LM	RA
Issued for Works Approval				

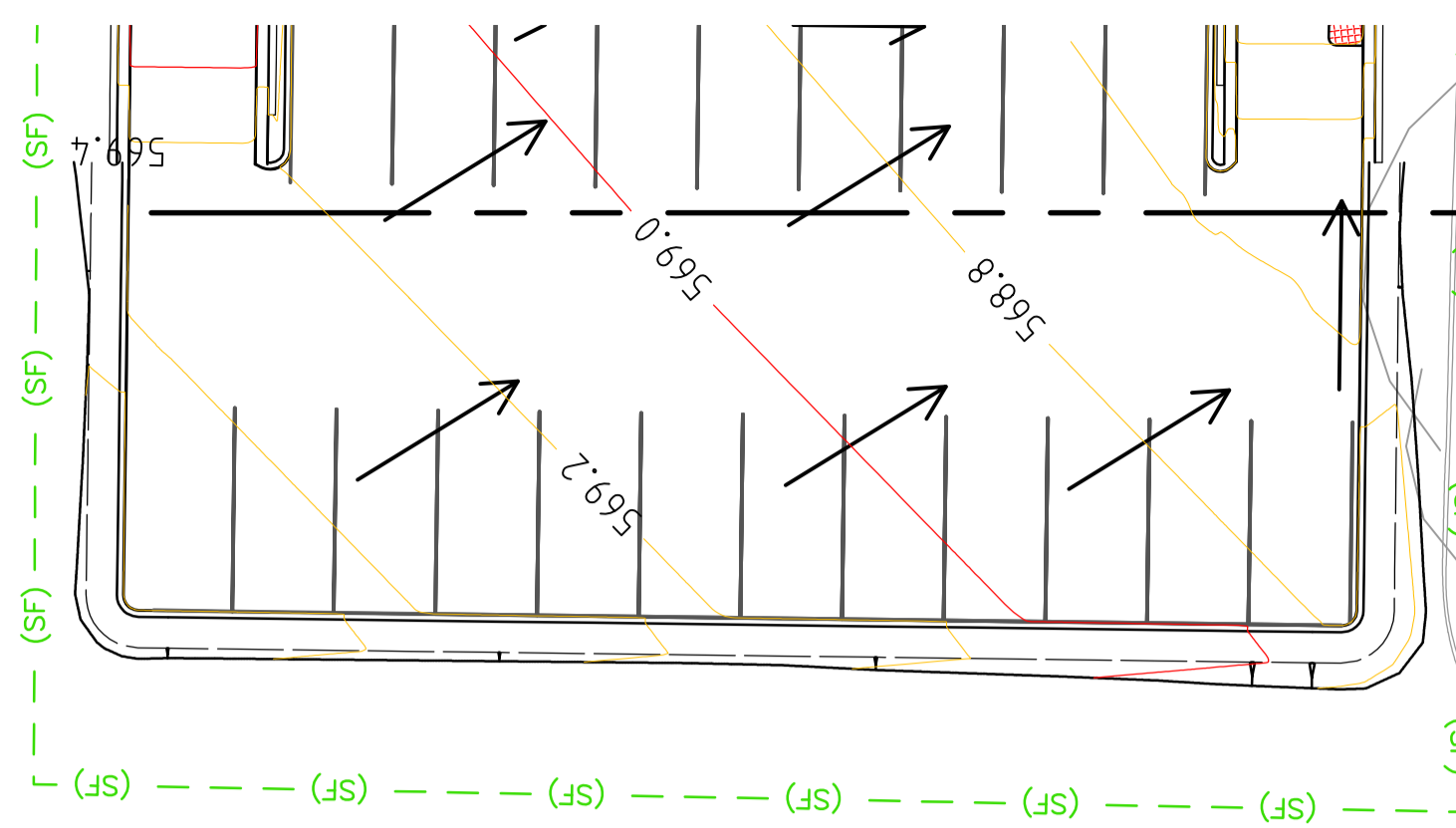
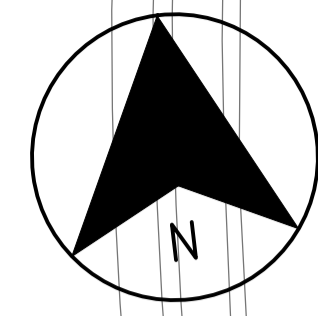
Designer
ARUP HASSELL

Client
Capital Metro ACT Government

Job Title
Capital Metro
Temporary Car Parks
Works Approval

Temporary Car Parks
Erosion & Sediment Control
Theatre Car Park
Sheet 1 of 2

Scale at A1 1:200m
Discipline Civil
Job No 235067
Drawing No CLR-CCW-DRG-4046
Issue P02
Works Approval



CANBERRA MUSEUM AND GALLERY

NORTHBORNE AVENUE

THEATRE LANE

CIVIC LIBRARY

VERNON CIRCLE

NOTE

- FOR GENERAL LEGEND, REFER DRG Nos. CLR-CGN-DRG-4005, 4006 & 4007.

0 5 10m A1 / A3 1:200 / 1:400

Issue	Date	By	Chkd	Appd

Issue	Date	By	Chkd	Appd

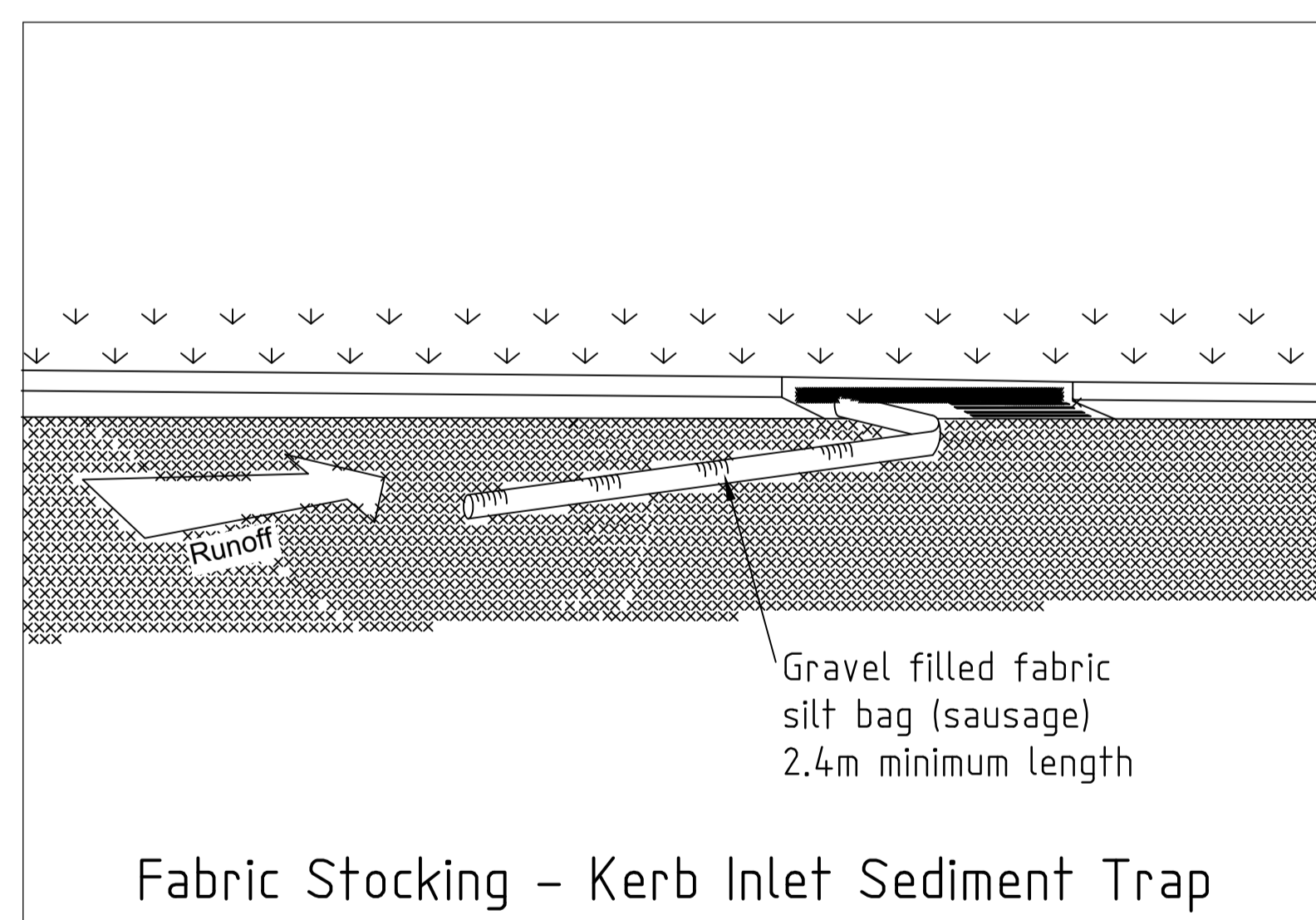
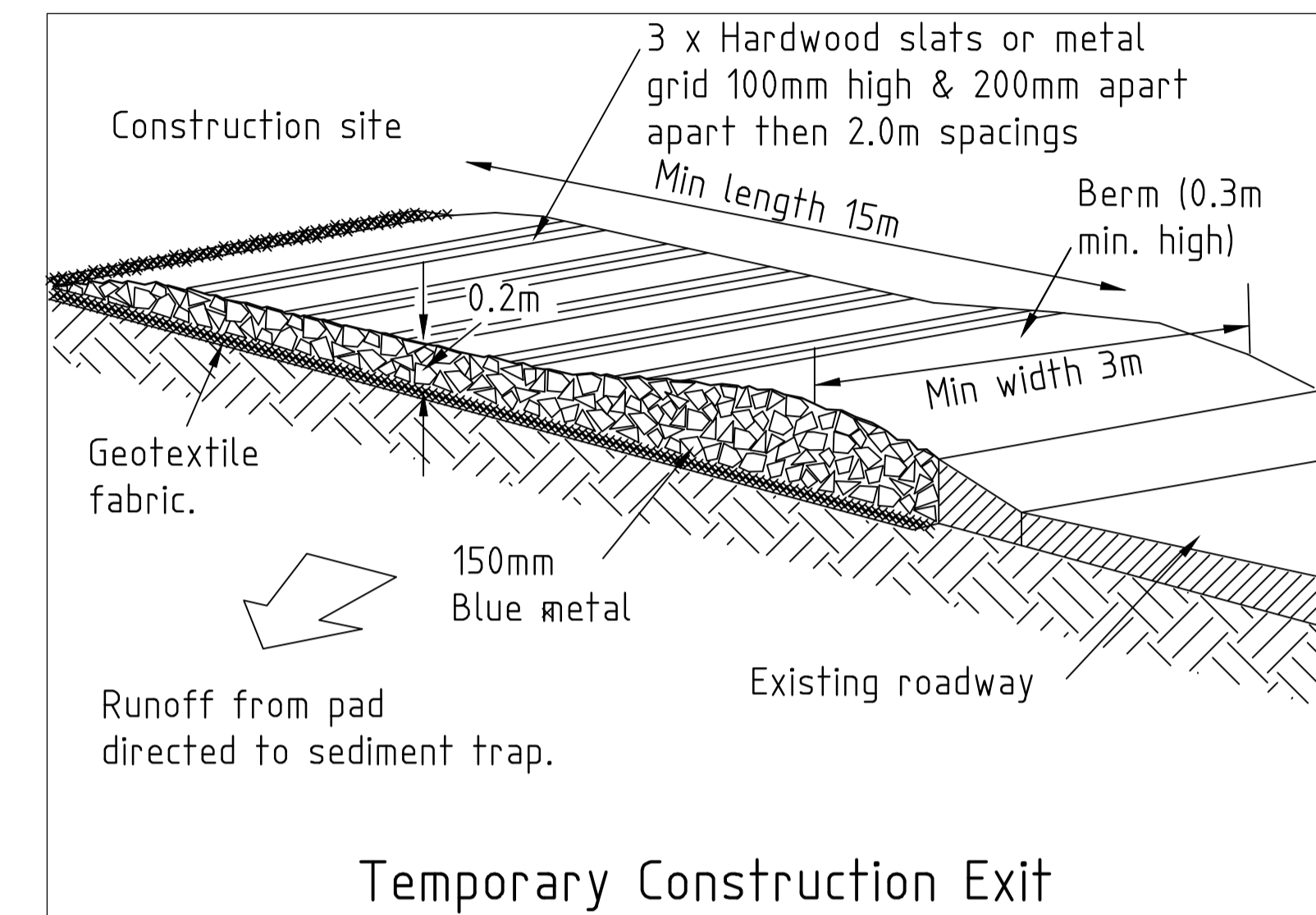
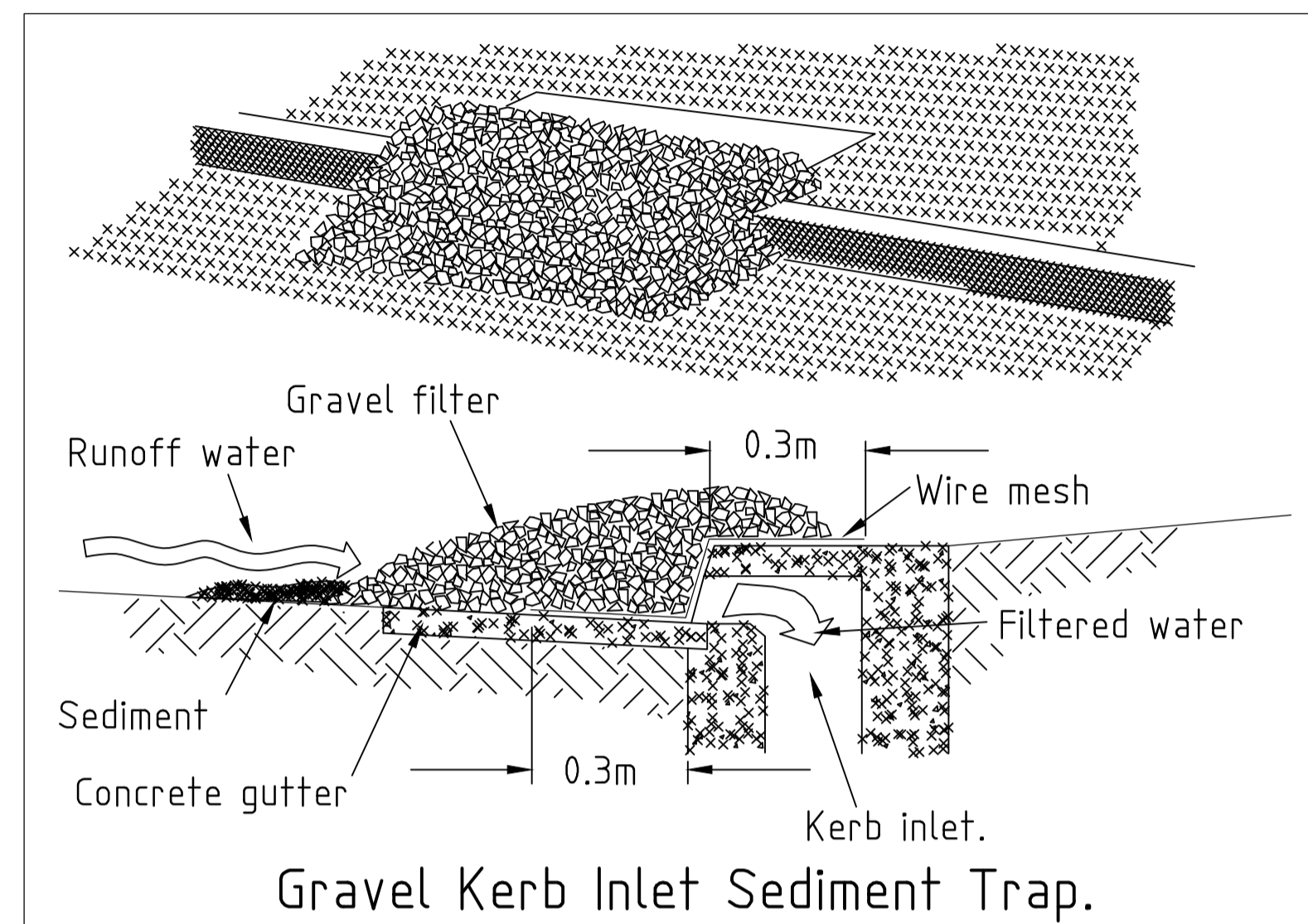
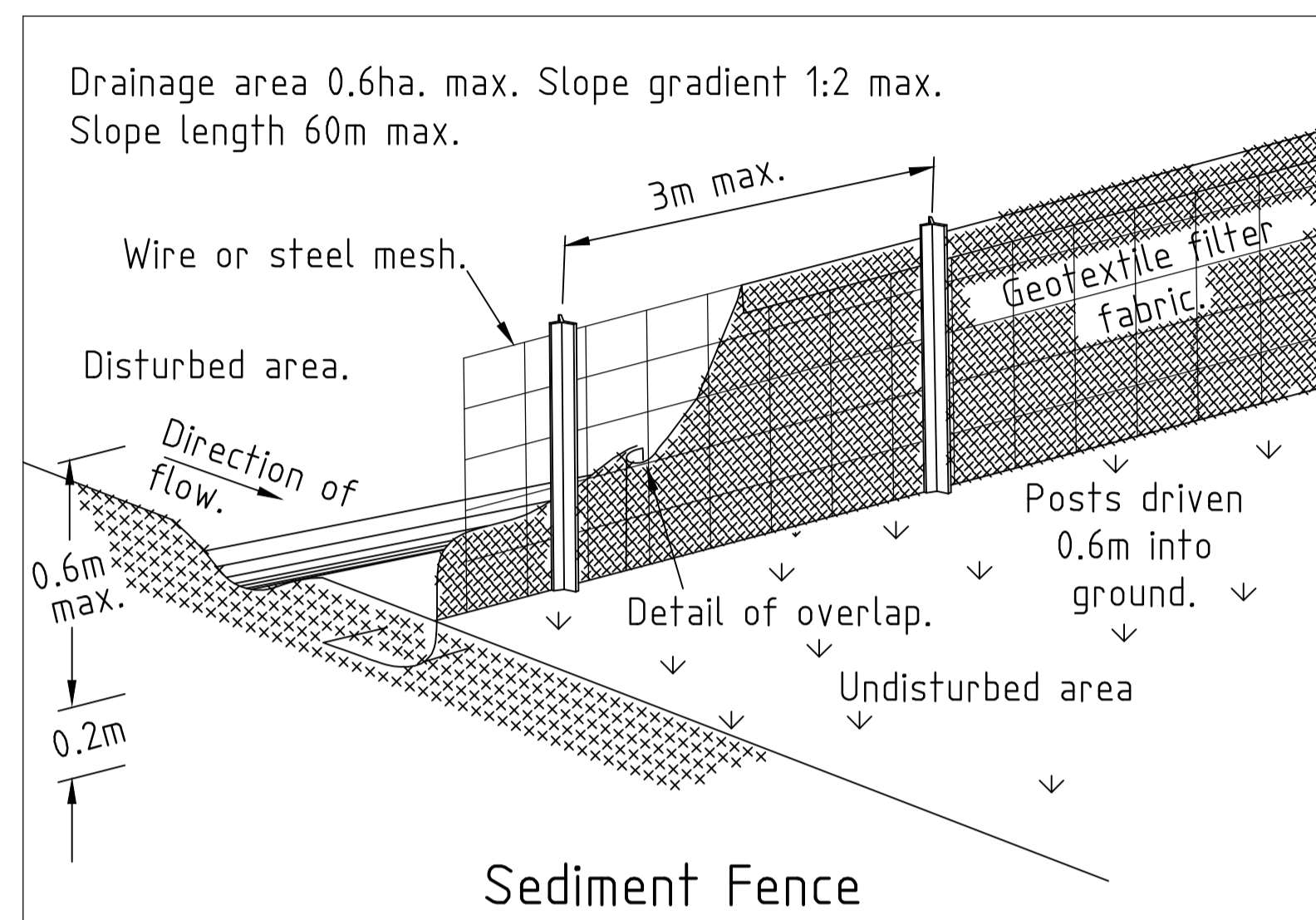
Issue	Date	By	Chkd	Appd
P01	15/01/16	NB	LM	RA
Issued for Works Approval				



Job Title
Capital Metro
Temporary Car Parks
Works Approval

Temporary Car Parks
Erosion & Sediment Control
Theatre Car Park
Sheet 2 of 2

Scale at A1 1:200m	
Discipline Civil	
Job No 235067	Drawing Status Works Approval
Drawing No CLR-CCW-DRG-4047	Issue P01



NOTE

- FOR GENERAL LEGEND AND NOTES, REFER DRG Nos. CLR-CGN-DRG-4005, 4006 & 4007.

Issue	Date	By	Chkd	Appd

Issue	Date	By	Chkd	Appd

Issue	Date	By	Chkd	Appd
P01	15/01/16	NB	LM	RA
Issued for Works Approval				

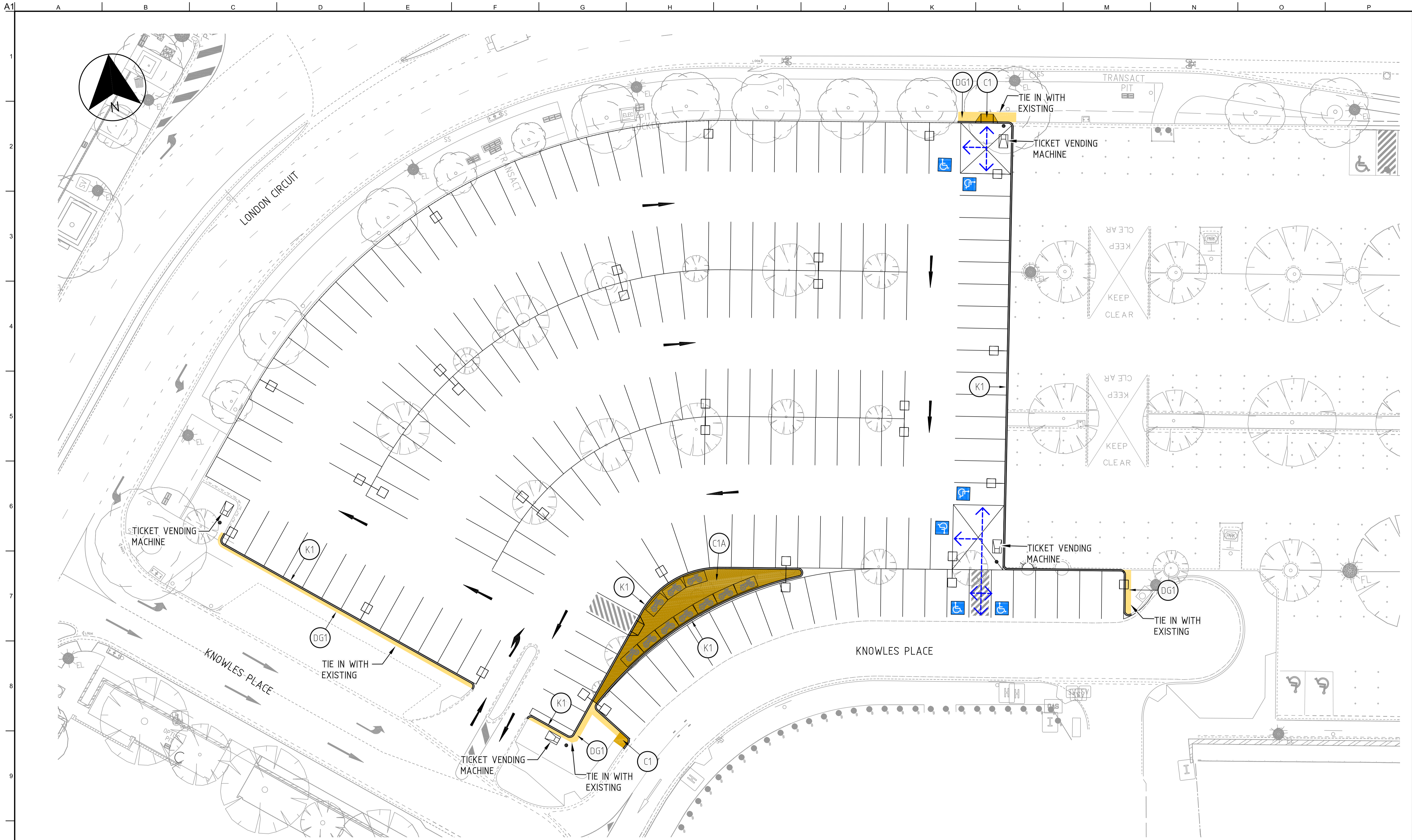
Designer
**ARUP
HASSELL**

Client
**CapitalMetro
ACT Government**

Job Title
Capital Metro
Temporary Car Parks
Works Approval

Temporary Car Parks
Erosion & Sediment Control
Typical Details

Scale at A1 NOT TO SCALE	
Discipline Civil	
Job No 235067	Drawing Status Works Approval
Drawing No CLR-CCW-DRG-4048	Issue P01



NOTE
 1. FOR GENERAL LEGEND, REFER DRG No. CLR-CGN-DRG-4005 AND CLR-CGN-DRG-4007

0 5 10m
 A1 / A3
 1:200 / 1:400

Issue	Date	By	Chkd	Appd

Issue	Date	By	Chkd	Appd

P02	19/01/2016	AW	AC	RTA
Revised For Works Approval				
P02	15/01/2016	AW	AC	RTA
For Works Approval				

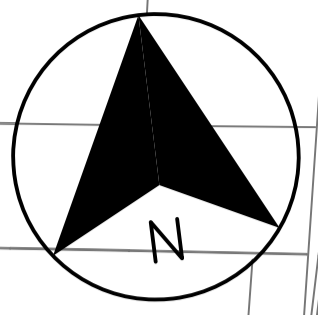
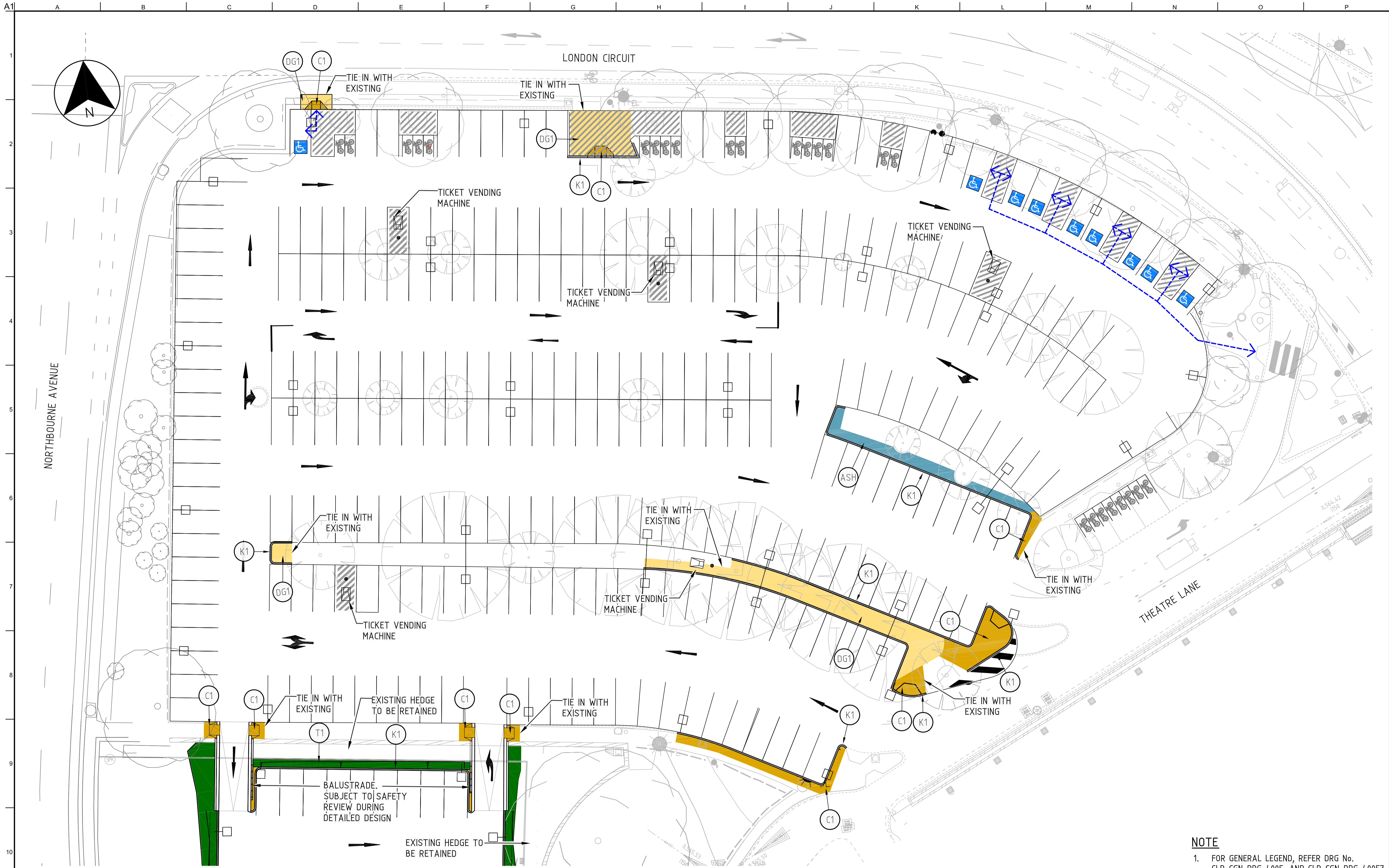
Designer
**ARUP
 HASSELL**

Client
**CapitalMetro
 ACT Government**

Job Title
 Capital Metro
 Temporary Carparks
 Works Approval

Temporary Car Park
 Landscaping
 Magistrates Court Car Park

Scale at A1	1:200m
Discipline	Landscape
Job No	235067
Drawing Status	Works Approval
Drawing No	CLR-LLU-DRG-4031
Issue	P02



0 5 10m
A1 / A3
1:200 / 1:400

NOTE
1. FOR GENERAL LEGEND, REFER DRG No. CLR-CGN-DRG-4005. AND CLR-CGN-DRG-40057

Issue	Date	By	Chkd	Appd

Issue	Date	By	Chkd	Appd

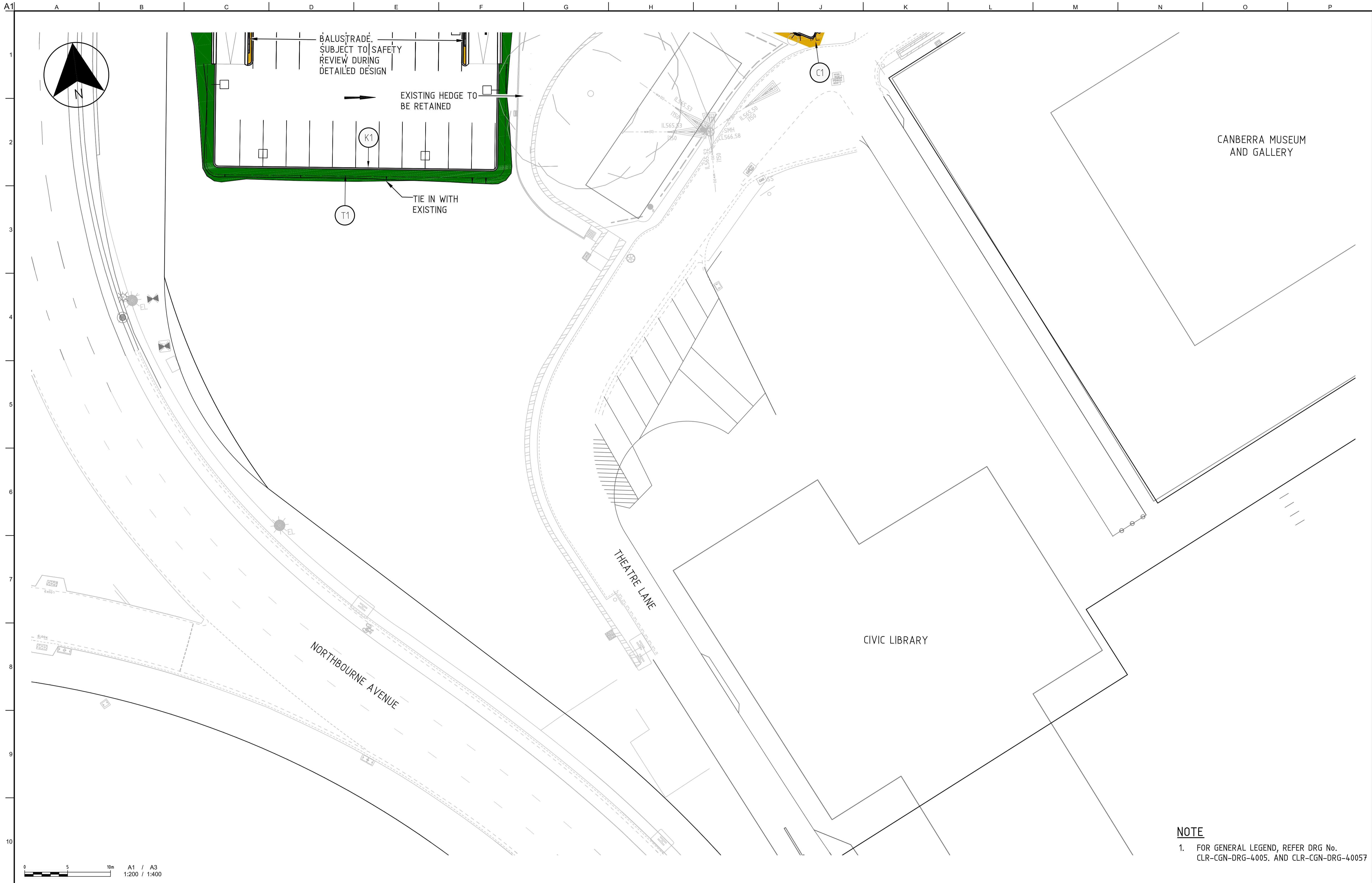
Issue	Date	By	Chkd	Appd
P02	19/01/2016	AW	AC	RTA
Revised For Works Approval				
P01	15/01/2016	AW	AC	RTA
For Works Approval				



Job Title
Capital Metro
Temporary Carparks
Works Approval

Temporary Car Park
Landscaping
Theatre Car Park
Sheet 1 of 2

Scale at A1 1:200m
Discipline Landscape
Job No 235067
Drawing Status Works Approval
Drawing No CLR-LLU-DRG-4032
Issue P02



NOTE
 1. FOR GENERAL LEGEND, REFER DRG No. CLR-CGN-DRG-4005. AND CLR-CGN-DRG-40057

0 5 10m
 A1 / A3
 1:200 / 1:400

Issue	Date	By	Chkd	Appd

Issue	Date	By	Chkd	Appd

Issue	Date	By	Chkd	Appd
P01	15/01/2016	AW	AC	RTA
For Works Approval				

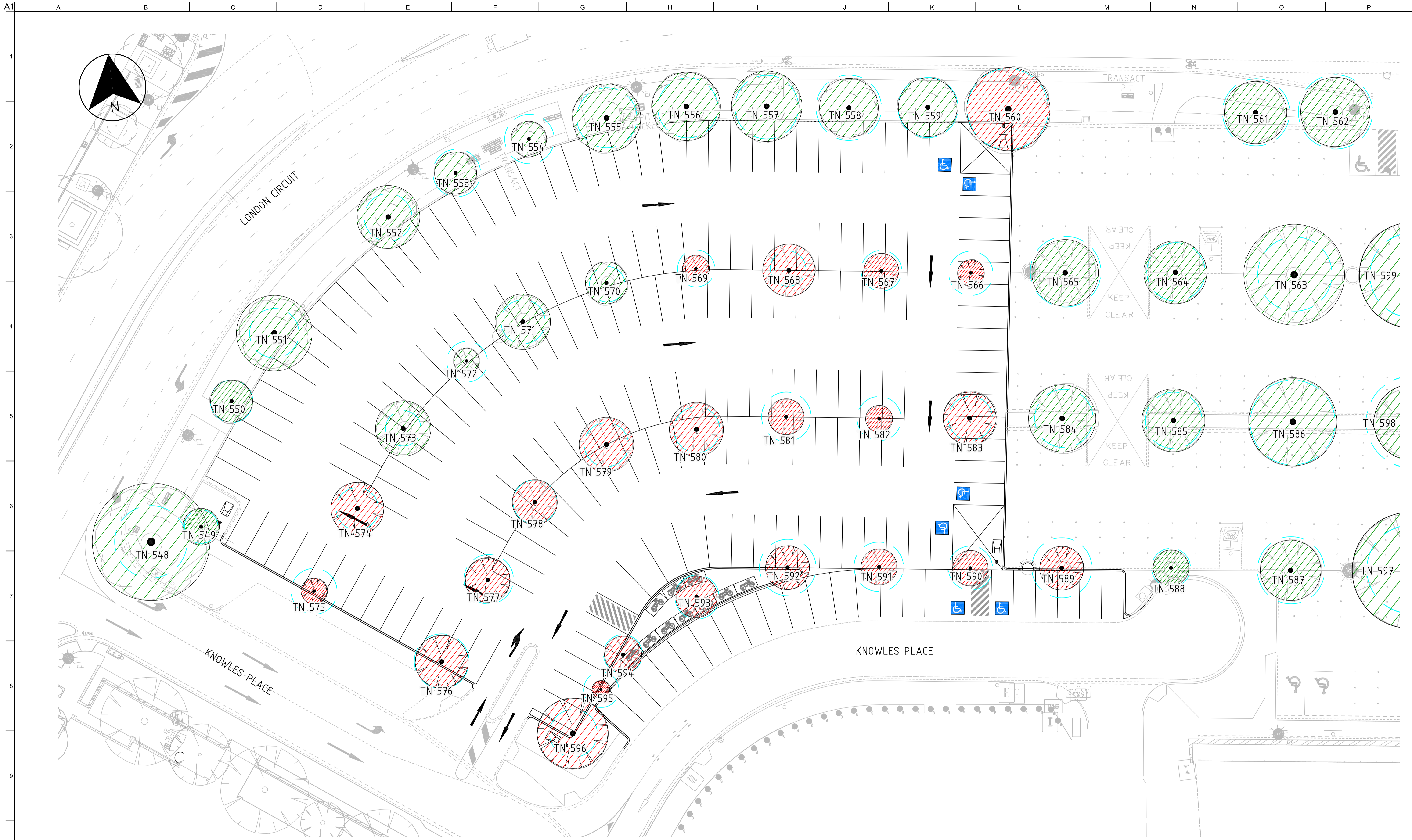
Designer
ARUP HASSELL

Client
CapitalMetro ACT Government

Job Title
 Capital Metro
 Temporary Carparks
 Works Approval

Temporary Car Park
 Landscaping
 Theatre Car Park
 Sheet 2 of 2

Scale at A1 AS SHOWN
 Discipline Landscape
 Job No **235067** Drawing Status **Works Approval**
 Drawing No **CLR-LLU-DRG-4033** Issue **P01**



0 5 10m A1 / A3
1:200 / 1:400

NOTE
1. FOR GENERAL LEGEND, REFER DRG No. CLR-CGN-DRG-4005 AND CLR-CGN-DRG-4007

Issue	Date	By	Chkd	Appd

Issue	Date	By	Chkd	Appd
P02	19/01/2016	AW	AC	RTA
Revised For Works Approval				
P01	16/01/2016	AW	AC	RTA
For Works Approval				

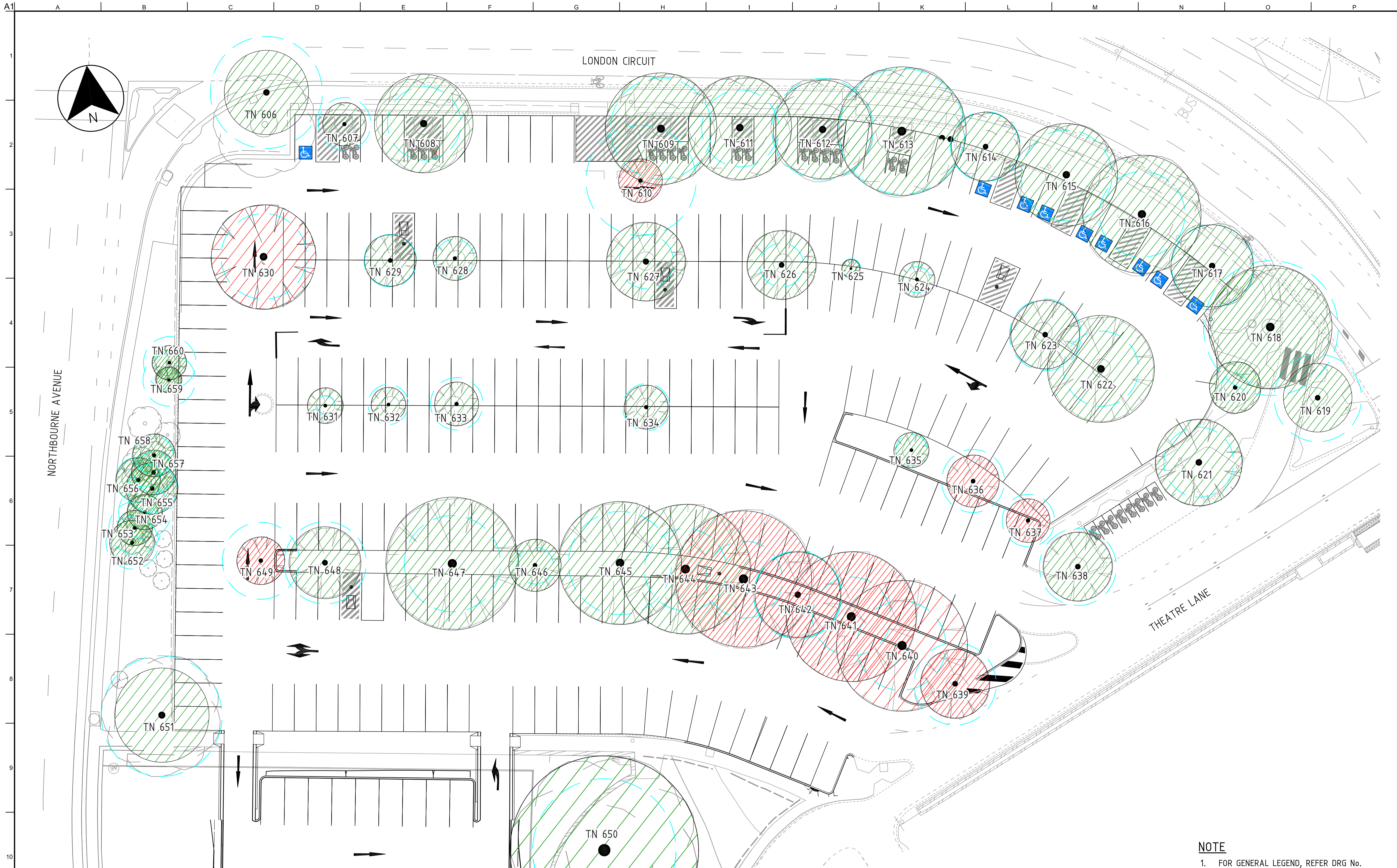
Designer
ARUP HASSELL

Client
CapitalMetro ACT Government

Job Title
Capital Metro
Temporary Carparks
Works Approval

Temporary Car Park
Tree Survey Plan
Magistrates Court Car Park

Scale at A1 1:200m
Discipline Landscape
Job No 235067
Drawing No CLR-LLU-DRG-4050
Drawing Status **Works Approval**
Issue P02



NOTE
 1. FOR GENERAL LEGEND, REFER DRG No. CLR-CGN-DRG-4005 AND CLR-CGN-DRG-4007

Issue	Date	By	Chkd	Appd

Issue	Date	By	Chkd	Appd

Issue	Date	By	Chkd	Appd
P02	19/01/2016	AW	AC	RTA
Revised For Works Approval				
P01	16/01/2016	AW	AC	RTA
For Works Approval				



Job Title
 Capital Metro
 Temporary Carparks
 Works Approval

Temporary Car Park
 Tree Survey Plan
 Theatre Car Park

Scale at A1	1:200m
Discipline	Landscape
Job No	235067
Drawing Status	Works Approval
Drawing No	CLR-LLU-DRG-4051
Issue	P02